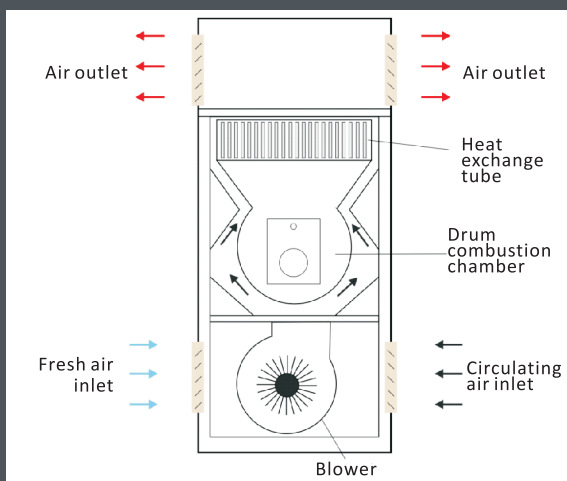


Indirect fired warm air generator



HOW IT WORKS

Drum-type indirect-fired air heaters mainly consist of a combustion unit, a heat exchange unit, a fan unit, a filtration unit, and a control system. They can be installed indoors or outdoors (with the option to install a mixed adjustment device for fresh air and indoor return air). Equipped with a built-in centrifugal fan, the system delivers heated air to the desired area through the air supply system, achieving the purpose of heating.

Indirect fired warm air generator



Features

- Available in vertical or horizontal configurations, suitable for indoor or outdoor installation.
- Combustion is proportionally controlled, with a thermal efficiency exceeding 90%, resulting in energy savings.
- Multiple interlocking protection measures, including flameout protection, air pressure protection, overheat protection, and low gas pressure protection.
- Large combustion chamber design, small combustion chamber volume, low NOx emissions.
- Unique heat exchange tube design, increasing smoke disturbance, and achieving high heat exchange efficiency.

Advantages/Benefits

- Can disperse or direct heating.
- Integrated design for easy installation.
- Fully automatic operation, no need for personnel on duty.
- Wide power range, from 100kW to 1400kW.
- No need for complex water systems, low equipment failure rate.
- Quickly addresses heating issues in large spaces, warehouses, etc.
- Broad fuel adaptability, suitable for gas, oil, and other fuels.

Applications

They are used for heating and ventilation in large spaces such as workshops, factories, logistics

warehouses, airports, large exhibition halls, sports arenas, and shopping malls.

Technical Parameters of Vertical Models

Model	Unit	DIVI100* DIVO100**	DIVI250 DIVO250	DIVI350 DIVO350	DIVI500 DIVO500	DIVI700 DIVO700	DIVI1200 DIVO1200	DIVI1400 DIVO1400
Input rate	KW	100	250	350	500	700	1200	1400
Output rate	KW	92	230	320	460	640	1100	1285
Air flow	m ³ /h	7600	13600	19000	27800	39000	64000	80000
Temperature Rise	°C	40	43	47	45	46	47	45
Natural Gas Consumption	m ³ /h	12.2	23.4	35.4	48.6	70.8	118.3	141.6
Propane Consumption	m ³ /h	4.5	8.6	13.1	17.9	26.2	43.7	52.3
Diesel Consumption	Kg/h	10.1	19.3	29.4	40.3	58.8	98.3	117.6
Max. fan motor	KW	1x3.0	2x2.2	2x4.0	2x5.5	2x9.2	3x11	3x11
Fan Static Pressure	Pa	450	450	450	450	600	800	800

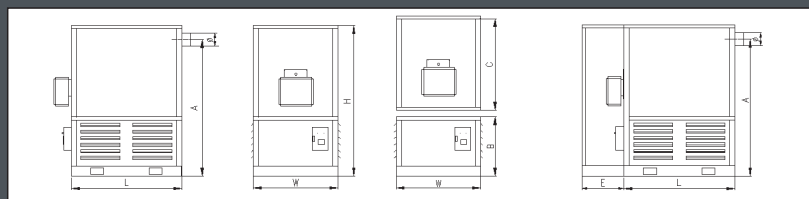
Dimensions

		1200	1500	1800	2100	2600	3700	3700
L	mm	1200	1500	1800	2100	2600	3700	3700
W	mm	1100	1000	1250	1350	1500	1800	1800
H	mm	64000	2150	2450	/	/	/	/
A	mm	47	1800	2050	2350	2750	3100	3100
B	mm	118.3	/	/	1000	1000	1200	1200
C	mm	43.7	/	/	1800	2200	2400	2400
φ	mm	98.3	200	300	350	350	400	400
E(Outdoor)	mm	3x11	600	800	1000	1000	1200	1200
Weight (Indoor)	Kg	800	660	760	1220	1735	2310	2530
Weight (Outdoor)	Kg	1200	830	965	1450	2105	2585	2950

* DIVI stands for Indoor Vertical Heater

** DIVO stands for Outdoor Vertical Heater

Note: Blower static pressure can be selected between 200 and 800Pa



Indirect fired warm air generator



Technical Parameters of Horizontal Models

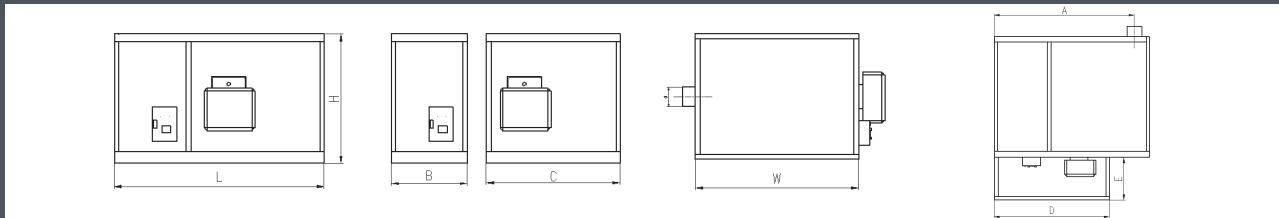
Model	Unit	DIHI100* DIHO100**	DIHI250 DIHO250	DIHI350 DIHO350	DIHI500 DIHO500	DIHI700 DIHO700	DIHI1200 DIHO1200	DIHI1400 DIHO1400
Input rate	KW	120	230	350	480	700	1170	1400
Output rate	KW	110	210	320	440	640	1070	1285
Air flow	m ³ /h	7600	13600	19000	27800	39000	64000	80000
Temperature Rise	°C	40	43	47	45	46	47	45
Natural Gas Consumption	m ³ /h	12.2	23.4	35.4	48.6	70.8	118.3	141.6
Propane Consumption	m ³ /h	4.5	8.6	13.1	17.9	26.2	43.7	52.3
Diesel Consumption	Kg/h	10.1	19.3	29.4	40.3	58.8	98.3	117.6
Fan motor	KW	1x3.0	2x2.2	2x4.0	2x5.5	2x9.2	3x11	3x11
Fan Static Pressure	Pa	450	450	450	450	600	800	800

外形尺寸

L	mm	1950	2150	2450	/	/	/	/
W	mm	1050	1500	1800	2100	2600	3700	3700
H	mm	850	1000	1250	1350	1500	1800	1800
A	mm	1700	1800	2050	2350	2750	3100	3100
B	mm	/	/	/	1000	1000	1200	1200
C	mm	/	/	/	1800	2200	2400	2400
φ	mm	200	200	300	350	350	400	400
D(Indoor)	mm	1950	2150	2450	2450	2450	3000	3000
E(Outdoor)	mm	600	600	800	1000	1000	1200	1200
Weight (Indoor)	Kg	335	660	760	1220	1735	2310	2530
Weight (Outdoor)	Kg	430	830	965	1450	2105	2585	2950

* DIHI stands for Indoor Horizontal Heater **DIHO stands for Outdoor Horizontal Heater

Note: Blower static pressure can be selected between 200 and 800Pa



Installation Precautions:

To start with the installation, it's best to begin with a pre-installation checklist (a list of items to check before installation). The following is a basic checklist, intended as an example:

- Choose a suitable location for installing the combustion air heater.
- Ensure that ventilation requirements can be met.

- Examine any issues that may affect the installation of HVAC, plumbing, and electrical systems.
- Design and plan the correct dimensions for the natural gas supply pipeline.
- Design and plan the correct supply and return air ducts (if necessary).
- Check the minimum distance from combustible materials in accordance with manufacturer recommendations and local regulations.
- Ensure equipment is easily accessible for maintenance.